

SG635

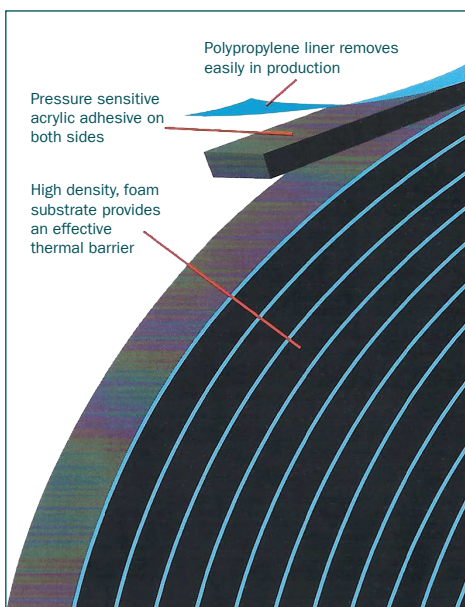
STRUCTURAL GLAZING SPACER TAPE

TREMCO
Lasting Performance



KEY BENEFITS SUMMARY

- Compatible with structural silicone adhesives (tested and approved by major manufacturers)
- High shore hardness giving guaranteed joint thickness
- Low thermal conductivity
- Available in a range of widths and thicknesses to suit a range of structural systems
- Fast recovery from compression



PRODUCT INFORMATION

Description

SG635 is a 300 kg density PVC foam which is coated both sides with high tack acrylic adhesive with blue filmic liner for easy release. SG635 has an open cell structure to allow curing of structural silicones on all sides of the joint. This is also available coated one side as SG634.

Usage / Purpose

SG635 is designed to give a specific gap thickness for structural silicone in structural glazing systems. The open cell nature of the foam allows curing of structural silicones.

Colour

Black or grey to special order.

Sizes

3 mm, 4 mm, 5 mm and 6 mm thickness available in any width from 6 mm up to 980 mm.

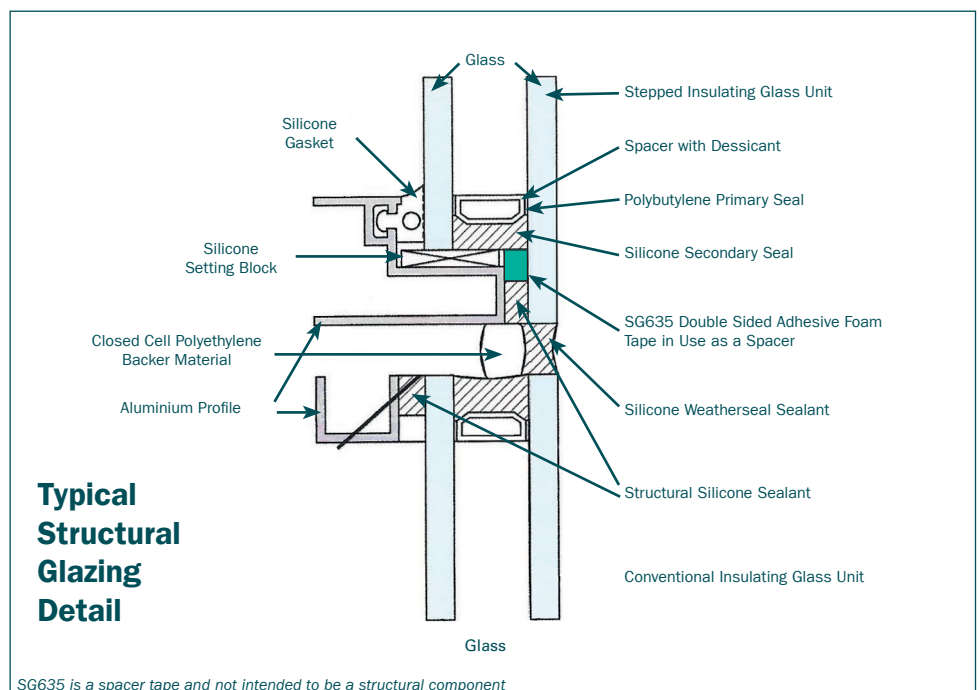
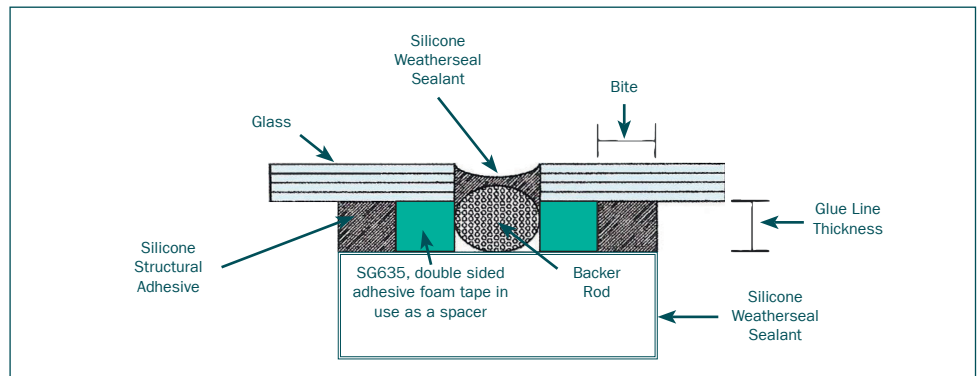
8 mm 9.5 mm and 12 mm from 8 mm up to 980 mm.

Packaging

Multiple rolls in boxes with silicone interleaves

Standards

Tested to ASTM E96-2005 water vapour transmission to determine open cell airflow structure. Tested for use with SG200 Proglaze II.



SG635 is a spacer tape and not intended to be a structural component

TECHNICAL DATA

PROPERTY	RESULT	
Carrier	None	
Release Liner	Filmic liner	
Sizes	150 µ at sizes up to 8 mm 80 µ at 9.5 mm and 12 mm	
Adhesive	Pure acrylic	
Coat Weight	70 gsm	
Adhesive Strength (FINAT TM 1-adhesion of polyester 50 µm against stainless steel)	1 minute	14 N/25 mm
	20 minutes	16 N/25 mm
	24 hours	21 N/25 mm
Storage	Store in shaded dry conditions between 10°C and 30°C	
Shelf Life	24 months when stored as recommended in original unopened packaging	

GENERAL CHARACTERISTICS

PROPERTY	STANDARD	VALUE
Density		300 kg/m ³
Tensile Strength	DIN 53571	0.50 MPa min
Elongation	DIN 53571	150% min
Tear Strength	DIN 53515	2.5 kg/cm min
Compression Set	DIN 53572	10% max
Final Recovery	DIN 53572	90-98%
Force to compress by 5% (to retain air permeability)		40 N/cm ²
Water Absorption		8% by volume
Cold Flexure	6 mm Madril	-30°C pass
Temperature Resistance	BS 2571	-50°C to +60°C
Thermal Conductivity		0.19 w/(m.k) or 0.16 kcal
Shore Hardness	Shore 00	75-85
Resistance to Ageing		Excellent
Resistance to Chemicals		
Acid		Good
Mineral Oil		Good
Alcohol		Good
Alkalis		Good
Petrol		

Preparation

- All contact surfaces must be clean, dry, smooth and free of grease and contamination. Adhesion is very quick and increases over 24 hours, therefore position tape as accurately as possible and reposition very quickly if necessary.
- It is advisable to run evaluations to ensure that all surfaces are compatible with our tapes.

Health & Safety Precautions

Safety Data Sheet must be read and understood before use.

Technical Service

Tremco CPG UK Limited has a team of experienced Technical Sales Representatives who provide assistance in the selection and specification of products. For more detailed information, service and advice, please call Customer Services on 01942 251400.

Guarantee / Warranty

Tremco CPG UK Limited products are manufactured to rigid standards of quality. Any product which has been applied (a) in accordance with Tremco CPG UK Limited written instructions and (b) in any application recommended by Tremco CPG UK Limited, but which is proved to be defective, will be replaced free of charge.

No liability can be accepted for the information provided in this leaflet although it is published in good faith and believed to be correct.

Tremco CPG UK Limited reserves the right to alter product specifications without prior notice, in line with Company policy of continuous development and improvement.