

CI/SfB	Yt4
CAW P22	
Uniclass L675:P99	

## Description

SP519 is a one component, non-sagging, elastomeric sealant with E160 fire resistance performance, based on hybrid polymers. In a reaction with humidity from the air it forms a soft elastic sealant that shows good resistance to light, ageing and weathering. The movement capability (EN 15651-1) is 25%.

SP519 is free of phthalates, isocyanates, and silicone. It is compatible with metals and to most construction materials.

## Colour

White, Grey, and Black

Other colours are available on request, subject to minimum order quantity.

## Packaging

300 ml cartridges (25 per carton)

## Technical Information

Property	Test Method	Results
Specific Gravity	DIN 52451-A	> 1.5 g/cm <sup>3</sup>
Classification	ISO 11600	25LM
Application Use	EN 15651 Part 1	F-INT-EXT-CC
Consistency – 50 mm profile	EN 27390	0 mm, non-sagging
Film Formation Time	Internal	Approx. 40 minutes at 23°C / 50% RH
Cure Rate	Internal	Approx. 2.8 mm /1 <sup>st</sup> day
Modulus at 60% Elongation	DIN EN ISO 8339	Approx. 0.3 N/mm <sup>2</sup>
Modulus at 100% Elongation	DIN EN ISO 8339	Approx. 0.45 N/mm <sup>2</sup>
Elongation at Break	DIN 53504 S2	Approx. 550%
Complies with ASTM C920, Type S, Grade NS, Class 25, Use NT,M,G,A and O		
Weight Loss	ASTM1246-99	3.0% (max permissible 7%)
Tack Free	ASTM 679-97	45 minutes (max permissible 72 hours)
Shore A	ASTM 661	28 Average (permissible range 25-50)
Movement	ASTM C719 ISO 11600	±25% 25LM
Tensile Strength	ASTM 412	1.6 N/mm <sup>2</sup>
Application Temperature		+5°C to +50°C
Service Temperature		-40°C to +90°C
Storage		Store in shaded dry conditions between +5°C and + 25 °C
Shelf Life		12 months when stored as recommended in original unopened containers.
Fire rated	Classification	E160
Emission	“Golden Standard” Eurofins	EMICODE EC1+



## SP519

### Environmentally Friendly Elastomeric Hybrid Façade Pro Sealants



#### Usage / Purpose

SP519 is intended for facade joints for interior and exterior application according to EN 15651 Pt 1 type F-EXT-INT-CC, Class 25LM. Recommended for construction sealings for windows and door perimeter joints.

Fire rated up to E160.

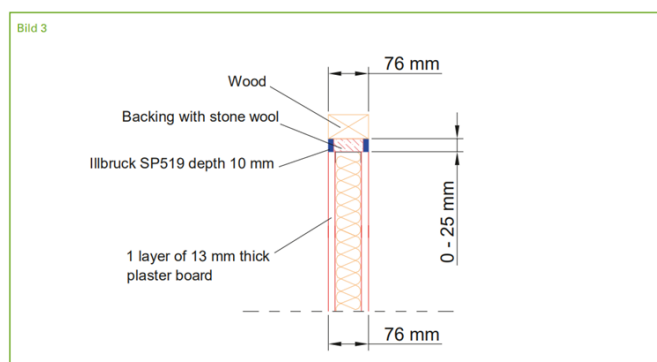
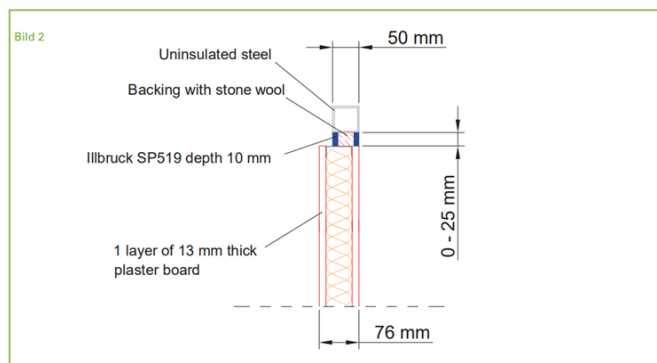
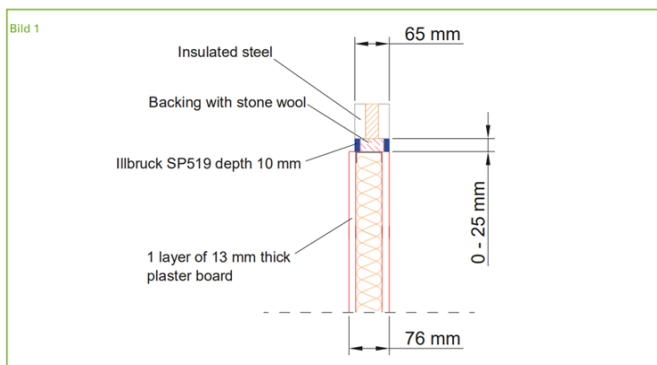
#### Key Benefits

- Suitable for cold climates and humid application conditions.
- Excellent resistance to UV, ageing and weathering.
- Fast cure compared to similar products- up to 2.8 mm in the first day.
- Movement accommodation factor: 25%
- Free of phthalate, isocyanates and silicones.
- Compatible with most common construction materials.
- Fire rated up to E160 classification.

# Environmentally Friendly Elastomeric Hybrid Façade Pro Sealants

## Preparation

- The substrates and joint faces should be clean, dry and free from dust, oil, grease, old sealant and any traces of contaminant which may affect adhesion. Any previously applied sealant must be mechanically removed. Due to large range of available materials, preliminary tests must always be carried out.
- Apply masking tape to prevent contamination of adjacent surfaces.
- Depending on the substrate AT115 and AT200 are as cleaners available. Clean powder coated surfaces with AT115. Perform preliminary tests.



## Joint Backing

- In movement joints, back fill the joint with polyethylene joint backing in order to control the depth of sealant and prevent three-sided adhesion.

## Priming

- Perform preliminary adhesion tests on critical and unknown surfaces. See adhesion table below more information.
- Priming is recommended on certain substrates. The following guidance is offered, but due to the wide variation in substrate properties, we recommend that preliminary adhesion tests are made prior to application or contact your local technical service department for advice.

## Application

- For sealing of joints where no primer is necessary (see table) SP519 can be applied directly out of the cartridge or sausage using a manual or pneumatic gun, otherwise when applying over primer, please ensure primer has dried sufficiently in accordance with the relevant data sheet.
- Apply SP519 equally and free of air bubbles directly out of the cartridge onto the surface or into the joint.
- Smooth surface if necessary, within the film formation time using AT300.
- If masking tape has been used remove it right after smoothing.

## Cleaning

For surfaces and tools contaminated by SP519, we recommend AT115 or AT200 as cleaner. Totally cured material only can be removed mechanically.

## Coverage

Width x Depth (mm)	Approx. metres per 300 ml Cartridge	Approx. metres per 600ml sausage
5 x 5	12.4	24.0
8 x 6	6.5	12.5
10 x 8	3.9	7.5
15 x 10	2.1	4.0
20 x 12	1.3	2.5
25 x 15	0.8	1.6
30 x 15	0.7	1.3

PLEASE NOTE: Contact with bituminous or tar containing surfaces can lead to discolouring. Application to natural stone substrates is recommended only after appropriate testing. The application on backs of mirrors, plastics that are sensitive to stress cracking and lasting exposure to water or vapour is not recommended. Not suitable for polyethylene, silicone, butyl rubber, neoprene or EPDM.

## Technical Service

Tremco CPG APAC has a team of experienced Technical Sales Representatives who provide assistance in the selection and specification of products. For more detailed information, service and advice, please contact our Customer Services.

## Guarantee / Warranty

Tremco CPG APAC products are manufactured to rigid standards of quality. Any product which has been applied (a) in accordance with Tremco

CPG APAC written instructions and (b) in any application recommended by Tremco CPG APAC, but which is proved to be defective, will be replaced free of charge.

No liability can be accepted for the information provided in this leaflet although it is published in good faith and believed to be correct. Tremco CPG APAC reserves the right to alter product specifications without prior notice, in line with Company policy of continuous development and improvement.



**Tremco CPG Korea**  
9 Bongjae-gil 63 Beon-gil,  
Dunpo-myeon, Asan-si  
Chungcheongnam-do, Korea

T: +82 10-4916-0278

asia@tremcocpg.com  
www.tremcocpg-asiapacific.com